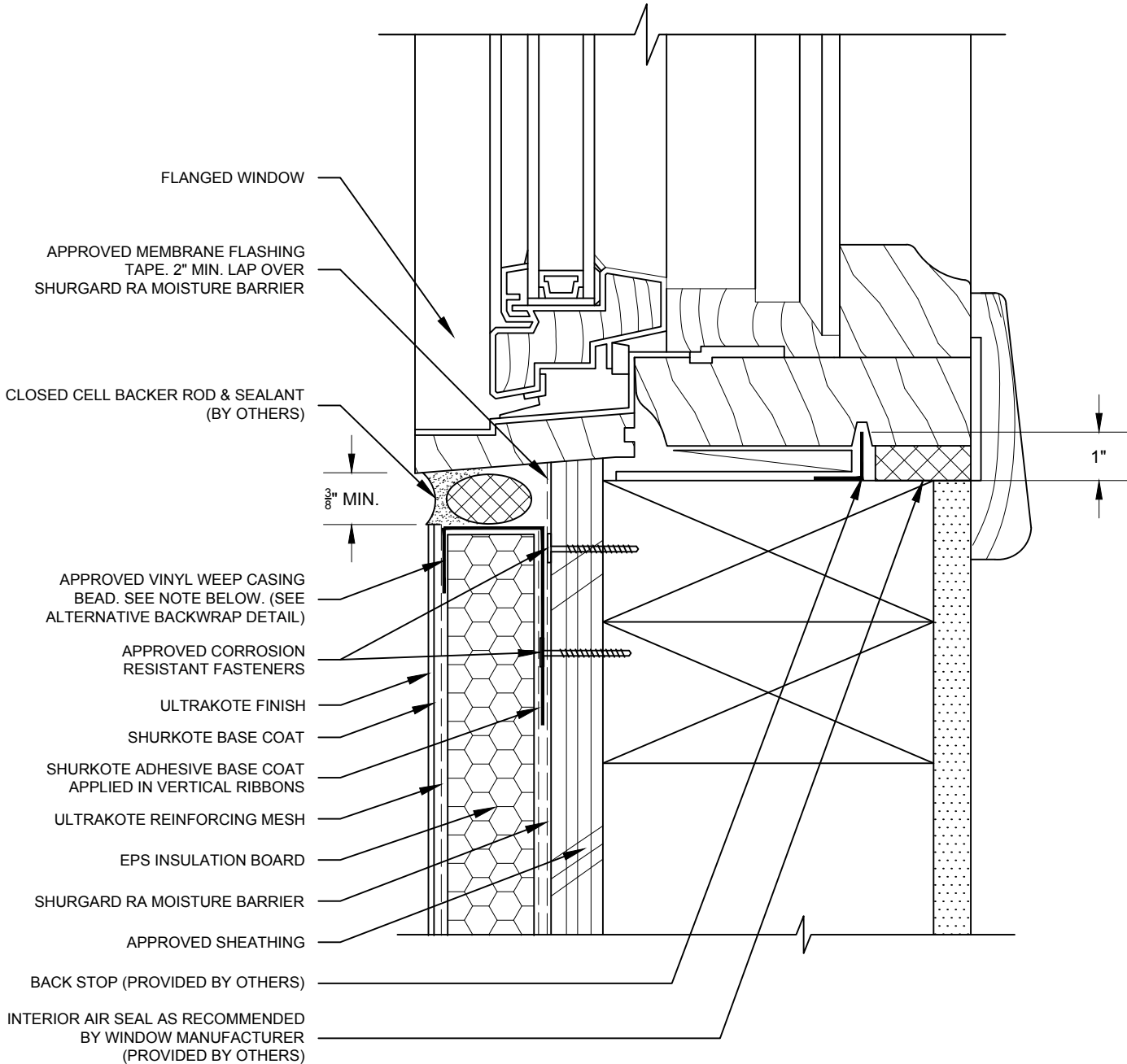


TYPICAL WINDOW SILL - FLANGED WINDOW



NOTE: MAINTAIN $\frac{1}{8}$ " SPACE BETWEEN BEVELED INSULATION AND WEEP CASING BEAD.